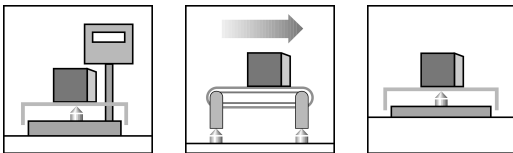
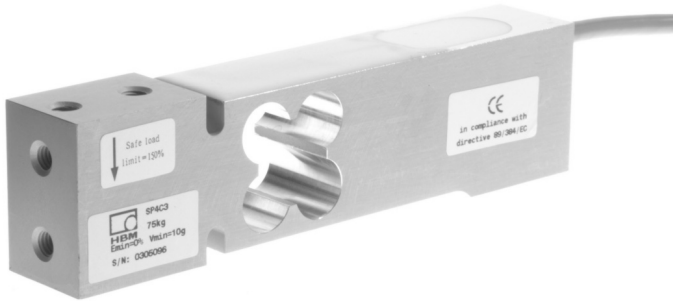


SP4C3-MR

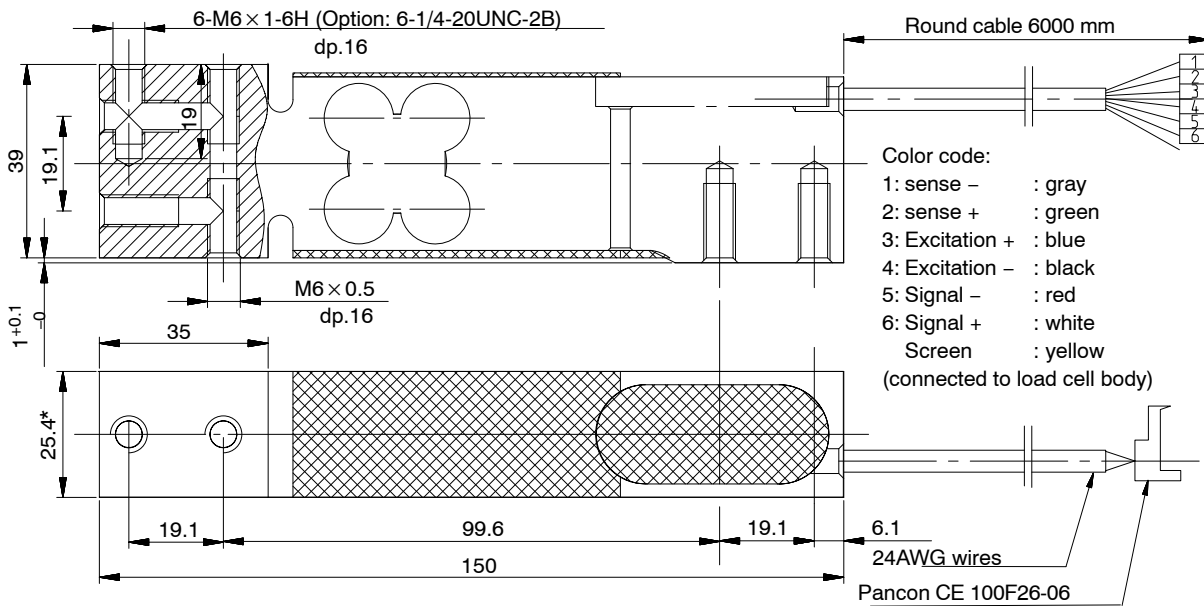
Single point load cell

Special features

- Accuracy class C3 according to OIML-R60 approval
- Off center load compensated (OIML R76)
- Protection class IP65 according to EN 60 529
- shielded connection cable



Dimensions (in mm; 1 mm= 0.03937 inches)



* SP 4/1 kg: 18 mm

Specifications

Type	SP4C3-MR													
Accuracy class	C3MR													
Max. number of load cell intervals (n_{LC})	3000													
Maximum capacity (E_{max})	kg	1	3	5	7	10	15	20	30	50	75	100	200	
Minimum LC verification interval (v_{min})	g	0.1	0.2	0.5	0.5	1	1	2	2	5	5	10	20	
Temperature effect on zero balance (TK_0)	% of C_n /10 K	± 0.0140	± 0.0093	± 0.0140	± 0.0100	± 0.0140	± 0.0093	± 0.0140	± 0.0093	± 0.0140	± 0.0093	± 0.0140	± 0.0140	
Maximum platform size	mm	300 × 300					450 × 450			600 × 600				
Sensitivity (C_n)	mV/V	2.0 ± 0.1 % (1 kg: 1.8 ± 0.1 %)												
Zero balance		0 ± 0.1												
Temperature effect on sensitivity (TK_C) ¹⁾ Temperature range +20 °C...+40 °C [+68 °F...+104 °F] -10 °C...+20 °C [+14 °F...+68 °F]	% of C_n /10 K	± 0.017 (Reference value) ± 0.011 (Reference value)												
Non-linearity (d_{lin}) ¹⁾ Hysteresis error (d_{hy}) ¹⁾ Minimum dead load output return (DR) Off center load error ²⁾	% of C_n	± 0.015 (typ.) ± 0.015 (typ.) ± 0.0166 ± 0.0233												
Input resistance (R_{LC}) Output resistance (R_0)	Ω	420 ± 10 350 ± 0.3												
Reference excitation voltage (U_{ref}) Nominal range of excitation voltage (B_U) Maximum excitation voltage	V	5 0 ... 12 15												
Insulation resistance (R_{is}) at 100 V _{DC}	GΩ	>2												
Nominal temperature range (B_T) Operating temperature range (B_{tu}) Storage temperature range (B_{tl})	°C [°F]	-10 ... +40 [+14 ... +104] -20 ... +50 [-4 ... +122] -30 ... +70 [-22 ... +158]												
Safe load limit (E_L) Lateral load limit (E_{lq}), static Breaking load (E_d)	% of E_{max}	150 300 300												
Material: Measuring element Coating Cable sheath		Aluminium Silicone rubber PVC												

1) The data of Non-linearity (d_{lin}), Hysteresis error (d_{hy}) and Temperature effect on sensitivity (TK_C) are typical values. the sum of these data meets the requirements according to OIML R60.

2) All relative error specified refer to Sensitivity. Off center load error according to OIML R76 class III.

Modifications reserved.

All details describe our products in general form only. They are not to be understood as express warranty and do not constitute any liability whatsoever.

Hottinger Baldwin Messtechnik GmbH

Im Tiefen See 45, D-64293 Darmstadt, Germany

Tel.: +49 6151 8030 Fax: +49 6151 803 9100

Email: support@hbm.com Internet: www.hbm.com



measurement with confidence